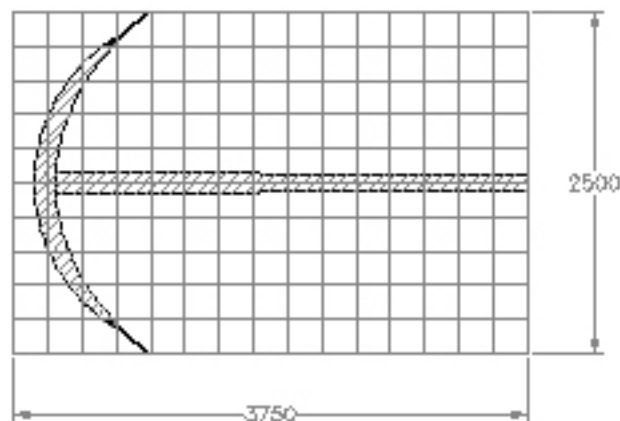
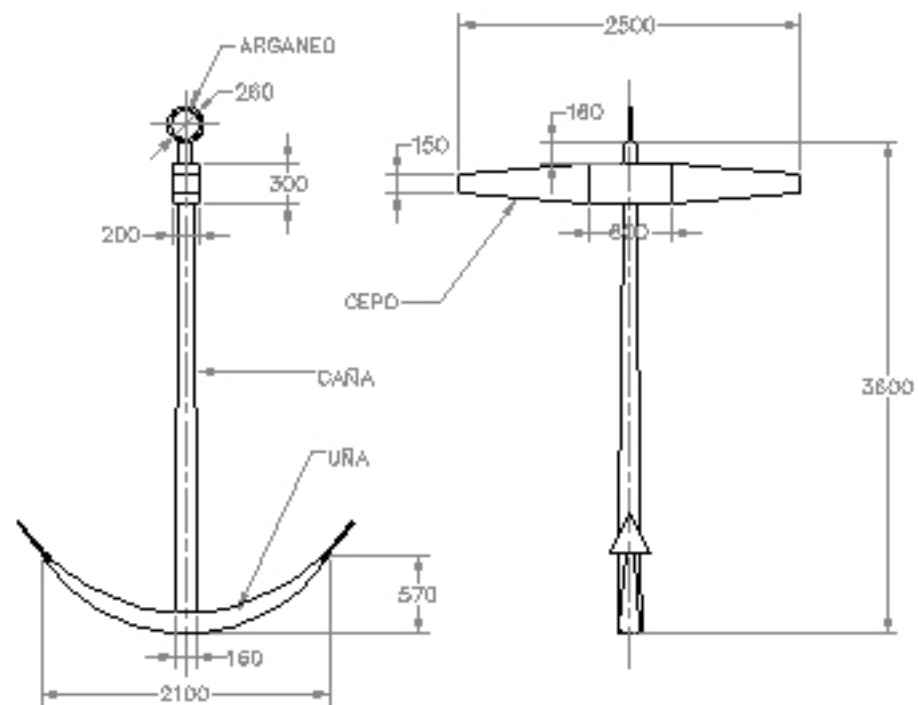


PESCANTES DE GATA
(Son 2)



ANCLAS
(Son 2)